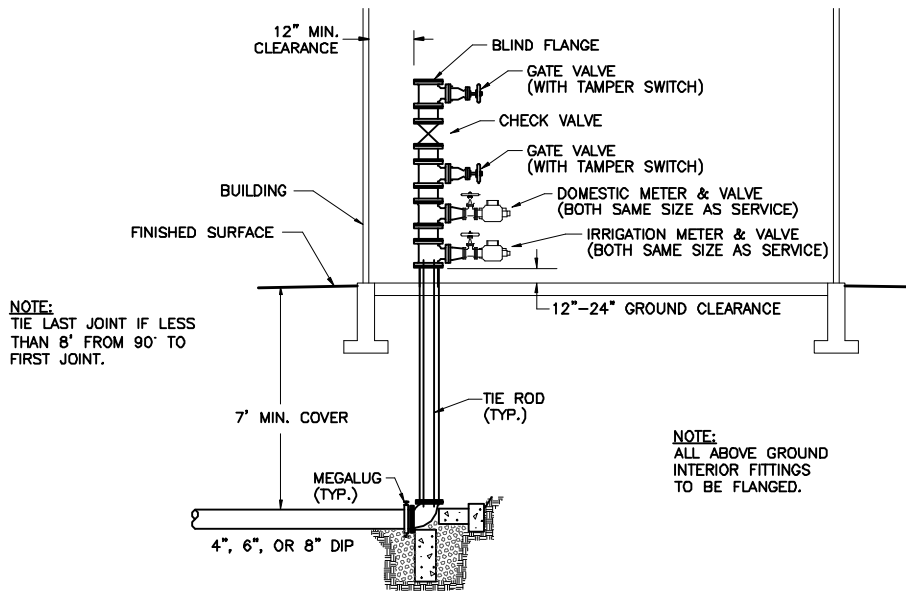


OPTION 1 - MEGALUG RESTRAINT



OPTION 2 - TIE-ROD RESTRAINT

**DUCTILE IRON PIPE WATER SERVICE
INTO BUILDING - (DUAL METER)
WITH FIRE PROTECTION**

NOT TO SCALE
PLATE 6025

**DUCTILE IRON PIPE WATER SERVICE
INTO BUILDING - (DUAL METER)
WITH FIRE PROTECTION**

STANDARD DETAIL
PLATE NO:
6025

APPROVED: ADOPTED BY CITY COUNCIL ON MARCH 10, 2008

REVISED:

REMARKS:

SAINT PETER UTILITY STANDARD DETAIL

