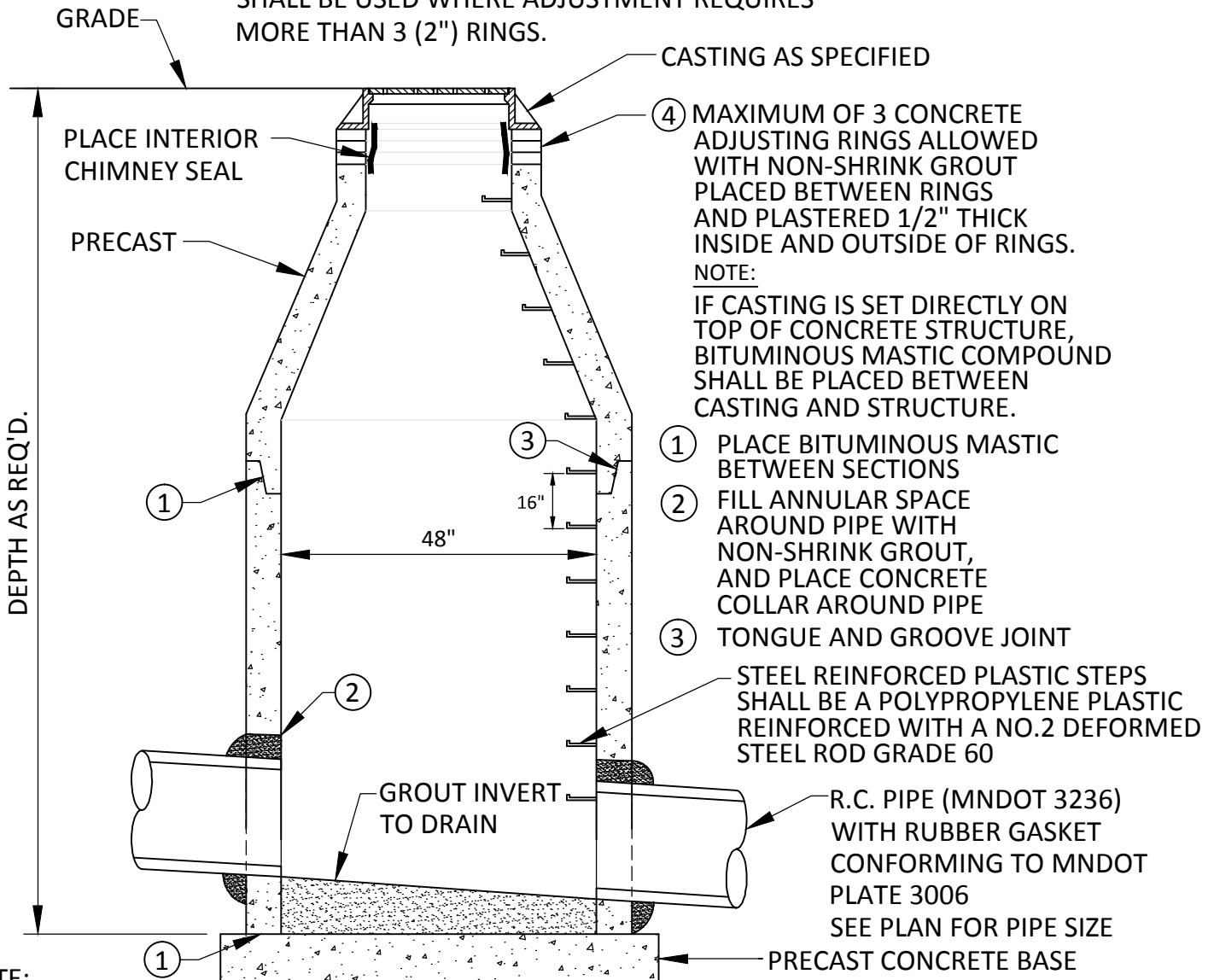


④ MAXIMUM ADJUSTMENT ALLOWED BETWEEN THE TOP CONE SECTION AND BOTTOM CASTING IS 12". A MAXIMUM OF 3 INDIVIDUAL ADJUSTING RINGS SHALL BE USED. TALLER 6" OR 12" RINGS SHALL BE USED WHERE ADJUSTMENT REQUIRES MORE THAN 3 (2") RINGS.



NOTE:

THE PIPE END(S) SHALL BE STUBBED INSIDE THE MANHOLE OR CATCH BASIN A MAXIMUM OF THREE INCHES (3"), UNLESS APPROVED OTHERWISE BY THE ENGINEER/OWNER.

**STORM SEWER
DESIGN F MANHOLE**

NOT TO SCALE
SAINT PETER STANDARD
PLATE 4006

**STORM SEWER
DESIGN F MANHOLE**

STANDARD DETAIL
PLATE NO:
4006

APPROVED: ADOPTED BY CITY COUNCIL ON JANUARY 12, 2004

REVISED: REVISION ADOPTED BY CITY COUNCIL ON APRIL 14, 2014

REMARKS:

SAINT PETER UTILITY STANDARD DETAIL

