

NOTES:

1 INLET PROTECTION DEVICES SHALL BE MAINTAINED OR REPLACED AT THE DIRECTION OF THE ENGINEER. MANUFACTURED ALTERNATIVES APPROVED AND LISTED ON THE DEPARTMENTS EROSION CONTROL PRODUCT ACCEPTABILITY LIST MAY BE SUBSTITUTED. WHEN REMOVING OR MAINTAINING INLET PROTECTION, CARE SHALL BE TAKEN SO THAT THE SEDIMENT TRAPPED ON THE GEOTEXTILE FABRIC DOES NOT FALL IN THE INLET. ANY MATERIAL FALLING INTO THE INLET SHALL BE REMOVED IMMEDIATELY.

2 FINISHED SIZE, INCLUDING POCKETS WHERE REQUIRED, SHALL EXTEND A MINIMUM OF 10" AROUND THE PERIMETER TO FACILITATE MAINTENANCE OR REMOVAL.

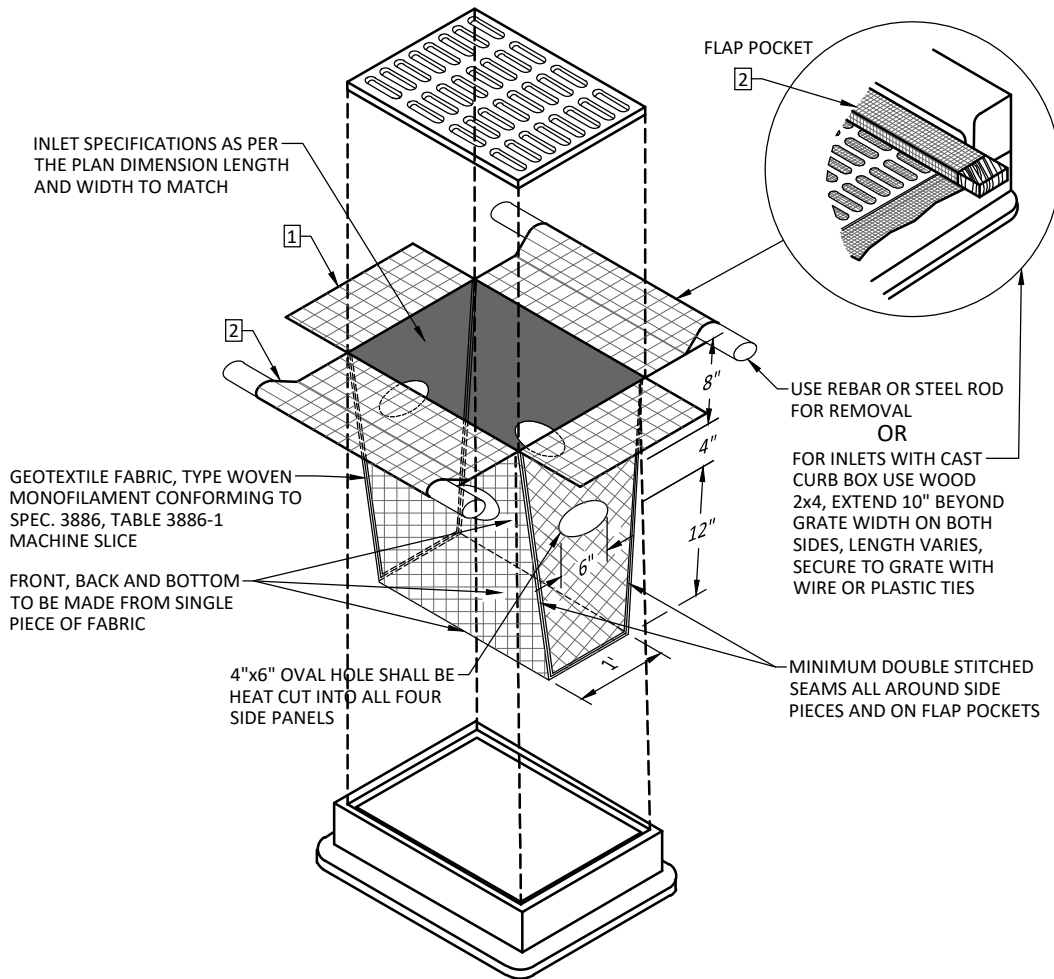
FLAP POCKETS SHALL BE LARGE ENOUGH TO ACCEPT WOOD 2x4.

INSTALLATION NOTES:

DO NOT INSTALL PROTECTION IN INLETS SHALLOWER THAN 30", MEASURED FROM THE BOTTOM OF THE INLET TO THE TOP OF THE GRATE.

TRIM EXCESS FABRIC IN THE FLOW LINE TO WITHIN 3" OF THE GRATE.

THE INSTALLED BAG SHALL HAVE A MINIMUM SIDE CLEARANCE, BETWEEN THE INLET AND THE BAG, MEASURED AT THE BOTTOM OF THE OVERFLOW HOLES, OF 3". WHERE NECESSARY THE CONTRACTOR SHALL CLINCH THE BAG, USING PLASTIC ZIP TIES, TO ACHIEVE THE 3" CLEARANCE. THE TIES SHALL BE PLACED AT A MAXIMUM OF 4" FROM THE BOTTOM OF THE BAG.



**INLET PROTECTION
GEOTEXTILE BAG**
NOT TO SCALE
SAINT PETER STANDARD
PLATE 3024

**INLET PROTECTION
GEOTEXTILE BAG**

STANDARD DETAIL
PLATE NO:
3024

APPROVED: ADOPTED BY CITY COUNCIL ON JULY 08, 2019

REVISED:

REMARKS:

SAINT PETER UTILITY STANDARD DETAIL

